

# *SunBriteTV*<sup>®</sup>

True Outdoor Television

## **SB-WM-ART1-M-BL**

**Weatherproof Universal Single-Arm Articulating Mount  
for Medium Displays**



**INSTALLATION MANUAL**



# WARNING

The maximum weight of this wall mount is 90 lbs (41 kg). Use with heavier than the maximum weight indicated may result in instability causing possible injury.

Ensure these instructions are thoroughly understood before attempting installation. If unsure of any part of the installation process, contact a professional installer for assistance.

The wall or mounting surface must be capable of supporting the combined weight of the mount and the display; otherwise the structure must be reinforced. Installer is responsible for verifying the wall/mounting surface and the anchors used can support the total load of the installation.

Safety gear and proper tools must be used. Failure to do so can result in property damage and/or serious injury.

A minimum of two people is required for this installation and it is highly recommended that this product be installed by qualified professionals.

Follow all instructions and recommendations regarding suitable locations for display installation. Consult the display equipment's documentation for information relative to its requirements.

**NOTE:** This mount supports display mounting from VESA 75x75 up to 600x400.

## SPECIFICATIONS

- Maximum Load: 90 lbs (41 kg)
- Maximum Extension: 24-3/8"
- Wire Management
- Pan/Swivel Range: 180°
- Tilt Range: -5° /+ 15°
- Weather Resistant Coating
- Stainless Steel Mounting Hardware














## BOX CONTENTS

- Wall Arm Assembly (1)
- Adapter Brackets (2)
- Adapter Plate (1)
- SunBrite Adapter Bars (4)
- Cable Covers (2)
- Hardware Kit (1)
- Template (1)

## TOOLS REQUIRED

- Power Drill
- 1/4" & 5/16" Drill Bits
- Level
- 1/2" (13mm) Wrench
- Hammer
- Stud Finder
- Phillips Screw Driver

## HARDWARE

IMAGE	DESCRIPTION	ITEM	QUANTITY
<b>BAG 1</b>			
	TV Mounting Bolts	(A) M4x10 (B) M4x20 (C) M4x30 (D) M5x10 (E) M5x20 (F) M5x30 (G) M6x10 (H) M6x20 (I) M6x30 (J) M8x10 (K) M8x20 (L) M8x30 (M) M8x40	4 of each size
	Flat Washer	(N) M5 (O) M8	16 8
	Nylon Spacer	(P) M4/M5 (Q) M6/M8	8 8
	Square Washer	(R) 36.2x2.5mm	4
	Recessed Hole Spacer	(S) Recessed Hole Spacer	4
	Spacer	(T) Spacer	4
<b>BAG 2</b>			
	Lag Bolt	(U) M8x65	3
	Concrete Anchor	(V) Anchor	3
	Lag Bolt Washer	(W) Washer	3
	Flange Bolt	(X) M6x12	8
	Button Head Flange Bolt	(Y) M8x12	4
	Hex Key	–	1
	Security Key	–	4

# INSTALLATION

## Layout and Drilling

1. Determine general location of the display.
2. Use a stud finder to find the nearest wall stud if applicable and mark their location.
3. Tape template flat and level to wall surface, aligning the template's slots with the stud markings on the wall.

**NOTE:** Use of a bead level is recommended.

**NOTE:** Template corners fold up to catch debris.

4. Use a pen or pointed object to mark bore locations.

**ATTENTION:** Before drilling, verify there is a minimum of 1-3/8" of concrete thickness to be used for the concrete anchors. Ensure to mount in a solid part of the block, generally 1" minimum from the side of the block. Cinder block must meet ASTM C-90 specifications.

**ATTENTION:** Concrete must be 2000 psi density minimum. Lighter density concrete may not hold concrete anchor.

**ATTENTION:** A standard electric drill on slow setting should be used to drill the holes instead of a hammer drill to avoid breaking out the back of the hole when entering a void or cavity.

5. Drill holes in marked locations:

- Use 1/4" bit for drilling into wooden studs.
- Use 5/16" bit for drilling into concrete wall.

**ATTENTION:** Be sure to drill holes centered within studs or bricks. Do not drill into mortar joints.

## Wall Mounting of Arm Assembly

1. Hammer concrete anchors (V) into wall as applicable.

**ATTENTION:** If anchors are going to be applied to a plastered concrete wall, the anchor must be recessed beyond the plaster to reside fully in the concrete.

2. Apply washers (W) to lag bolts (U).

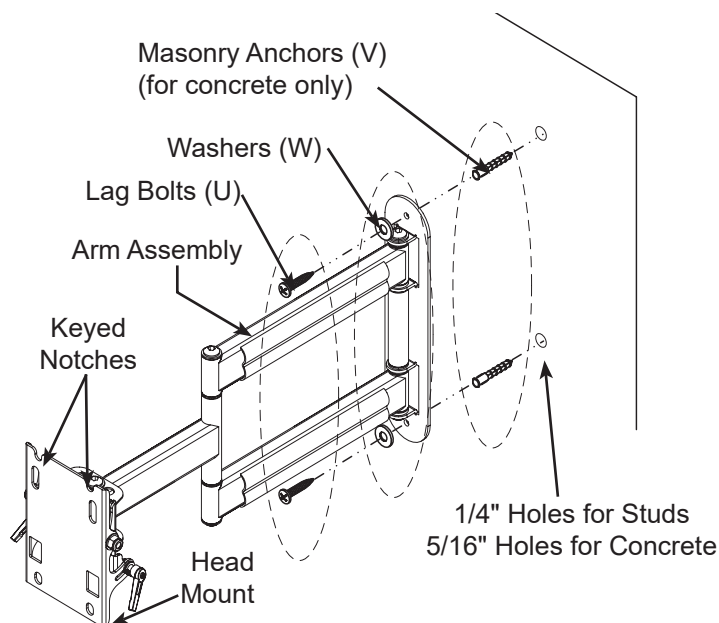
3. Hold Arm Assembly in place while applying lag bolts (U) with washers (W).

**NOTE:** A properly mounted Arm Assembly will be oriented so that its Keyed Notches side of the Arm Assembly Head Mount is upward.

4. Tighten bolts (U) snugly without overtightening.

**CAUTION:** Overtightening can damage the bolts and reduce their holding strength.

Figure 1



## Assemble TV Bracket

Lay the TV flat on a soft, flat surface and locate the four VESA mounting bracket holes, then determine the VESA pattern and prepare the TV bracket and adapters accordingly.

### Small Displays (Up to VESA 200x200)

1. (Fig.2A) Use only the TV adapter plate.
2. Test the TV mounting bolts (A-M) and find the diameter that fits the VESA mounting holes. (Fig.2B)
3. Attempt to fasten the plate using the shortest possible screws. Use washers and spacers (N-T) as needed to fasten the plate parallel to the back of the TV.

Figure 2A

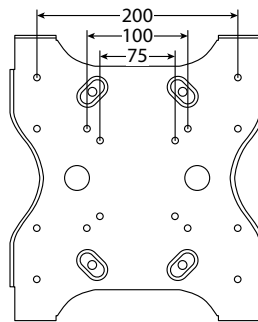
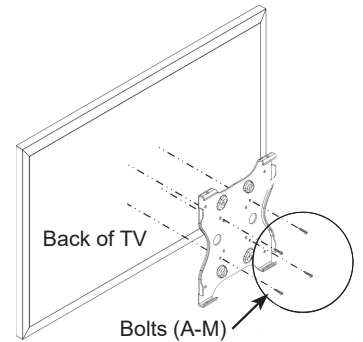


Figure 2B



### Medium Displays (Up to VESA 400X400)

1. Assemble the four SunBrite adapter arms on the TV adapter plate using 8x bolts (X). (Fig.3A)
2. Test the TV mounting bolts (A-M) and find the diameter that fits the VESA mounting holes. (Fig.3B)
3. Attempt to fasten the plate using the shortest possible screws. Use washers and spacers (N-T) as needed to fasten the plate parallel to the back of the TV.

Figure 3A

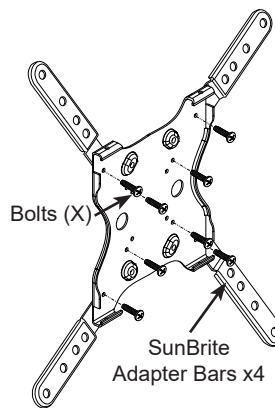
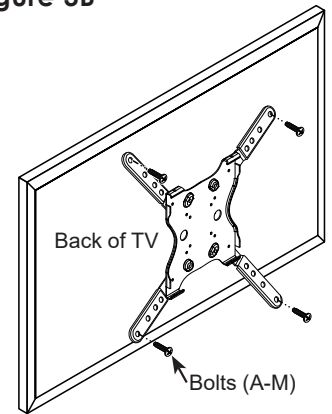


Figure 3B



### Large Displays (Up to VESA 600x400)

1. Assemble the adapter brackets and bars on the TV adapter plate using 8x bolts (X). (Fig.4A)
2. Test the TV mounting bolts (A-M) and find the diameter that fits the VESA mounting holes. (Fig.4B)
3. Place 4x square washers (R) into the slots where the VESA mounting screws will pass through. (Fig.4C)
4. Attempt to fasten the bracket to the TV using the shortest possible screws. Use washers and spacers (N-T) as needed to fasten the plate parallel to the back of the TV.

Figure 4A

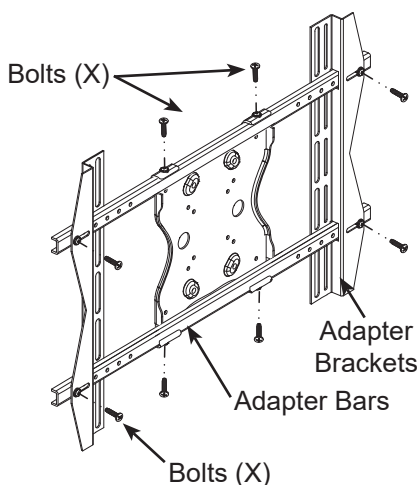


Figure 4B

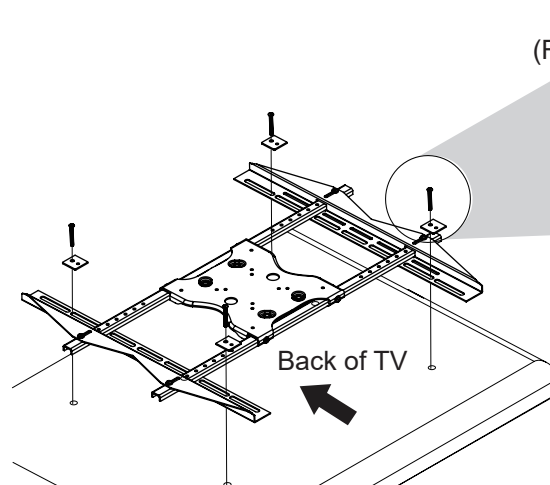
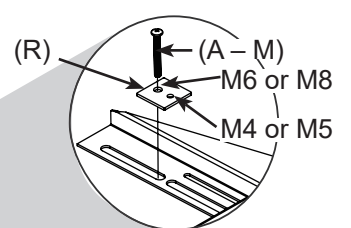


Figure 4C



## Attach TV to Arm Assembly

**ATTENTION:** This procedure requires two persons to perform. The instructions in this step are the same for all TV sizes.

1. Pull the head of the arm assembly out from the wall and move the tilt adjustment down as much as possible. (Fig.5)
2. Insert two bolts (Y) into the top two holes of the TV adapter plate. Leave approximately 1/4" of exposed thread (do not fully tighten). (Fig.6)
3. Lift the display and hook it over the mounting head by lowering the exposed portion of the top screws into the open key slots on top of the arm assembly head. (Fig.7)
4. Insert two bolts (Y) through the bottom two holes of the assembly head and thread them into the adapter plate. (Fig.8)
5. Fully tighten all four bolts (Y). Tilt the TV up and down while watching the back to make sure that all 4 bolts are fully tightened.

Figure 5

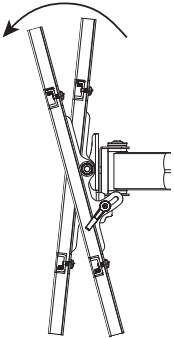


Figure 6

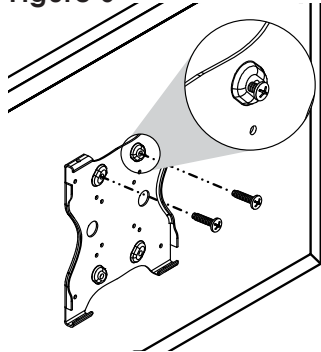


Figure 7

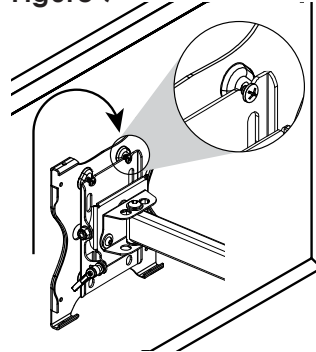
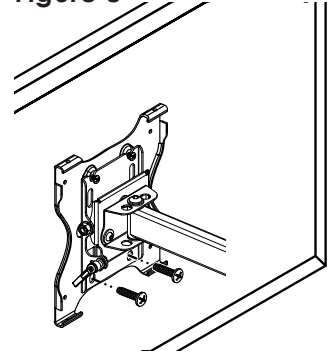


Figure 8



## Cable Cover Attachment

Route the electrical and data cables along the arm assembly and secure in place using the provided cable covers (Fig.9).

**NOTE:** Ensure enough slack is provided to allow for vertical and horizontal move before attaching the Cable Covers.

## Optional Adhesive Rubber Pad

Included with the hardware pack are adhesive rubber pads for cushioning impact of the arm against the wall when retracting the mount. Place the pads on the opposite side from the cable covers where possible impact points will occur (Fig.10).

Figure 9

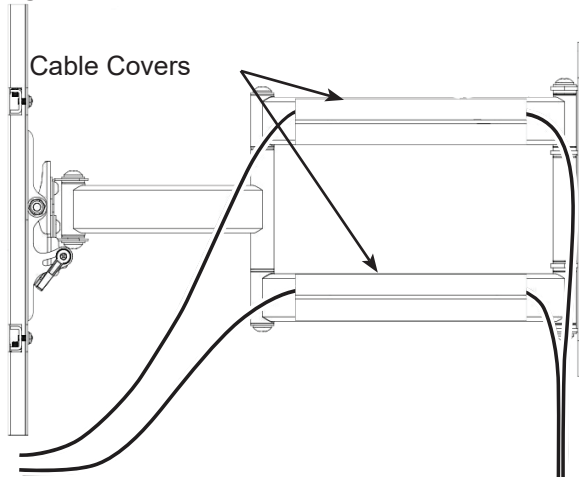
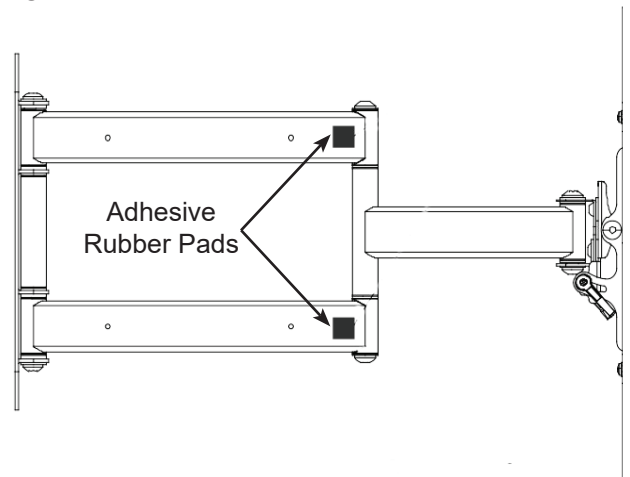


Figure 10



# Adjustments

## Tilt Adjustment

Loosen the tilt levers on the head of the arm assembly enough to allow controlled adjustment. Set the desired tilt, then re-tighten the locking levers. (Fig.11)

Once the tilt levers are locked, their position can be adjusted by pulling out on each lever and rotating it to a less obtrusive position.

## Horizontal Adjustment

Slightly loosen the two screws on the head of the arm assembly using the provided Hex key (Fig.11). Then, firmly hold the display by two opposite corners and gently turn it into the desired position (Fig.12). When level, re-tighten the screws.

Figure 11

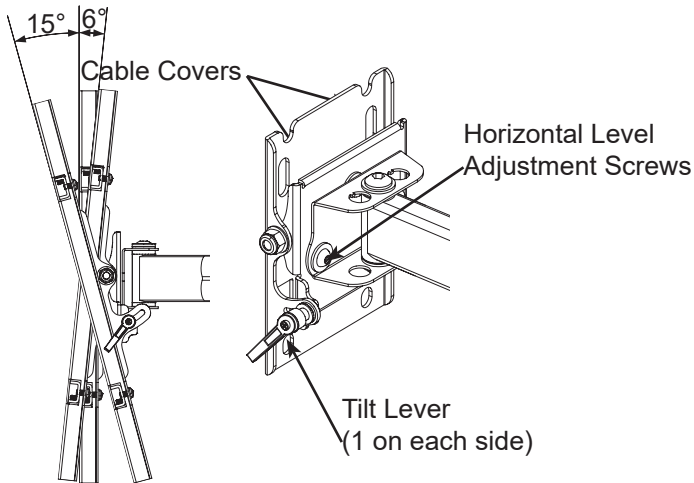
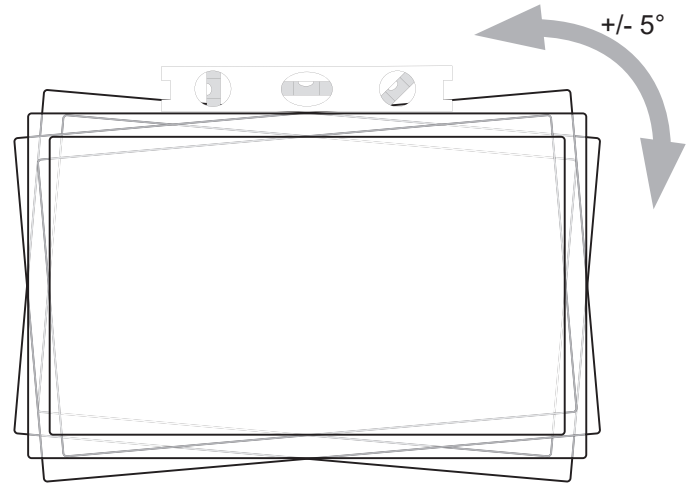


Figure 12



## Lifetime Limited Warranty

SunbriteTV™ Mounts have a Lifetime Limited Warranty. This warranty includes parts and labor repairs on all components found to be defective in material or workmanship under normal conditions of use. This warranty shall not apply to products which have been abused, modified or disassembled. Products to be repaired under this warranty must be returned to SunbriteTV or a designated service center with prior notification and an assigned return authorization (RA) number.

Technical Support 866.838.5052



***SunBriteTV***<sup>®</sup>  
True Outdoor Television

170315-0814