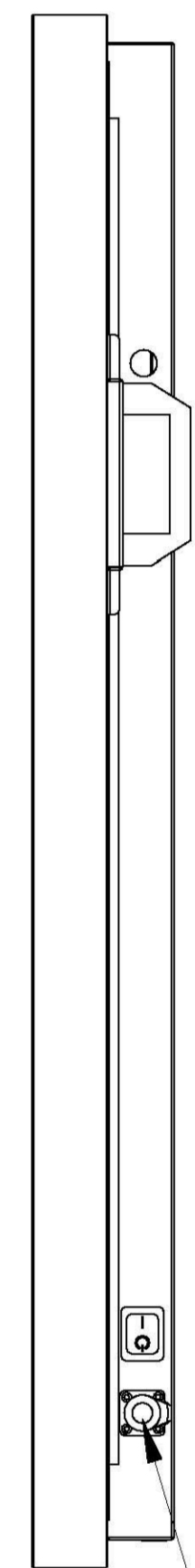
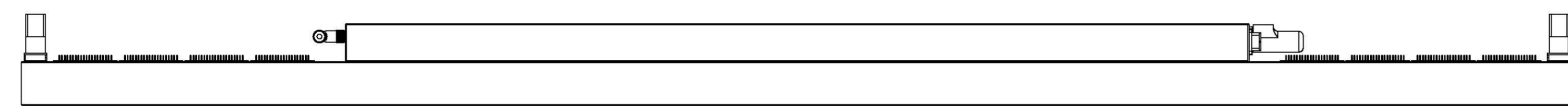
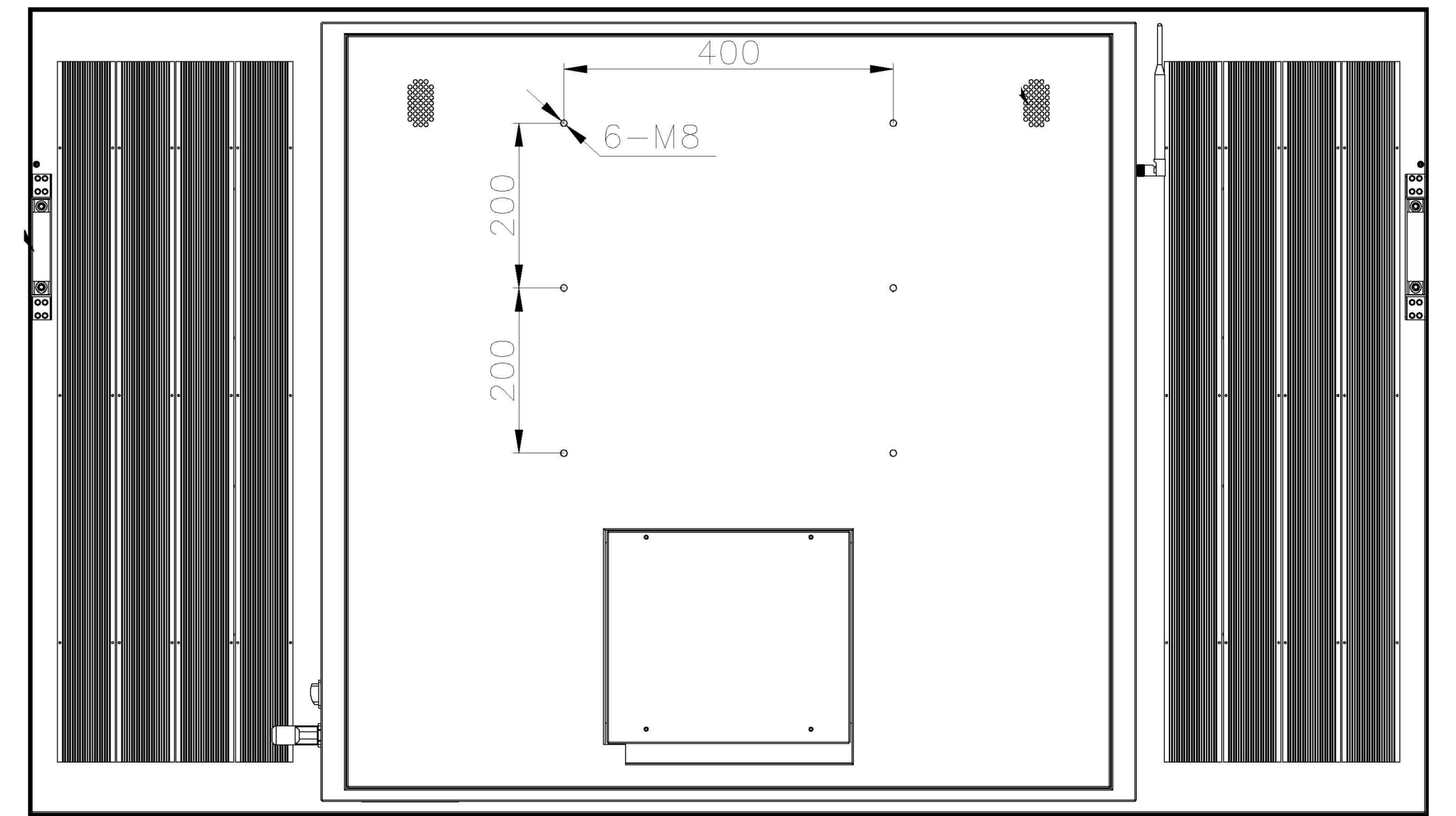
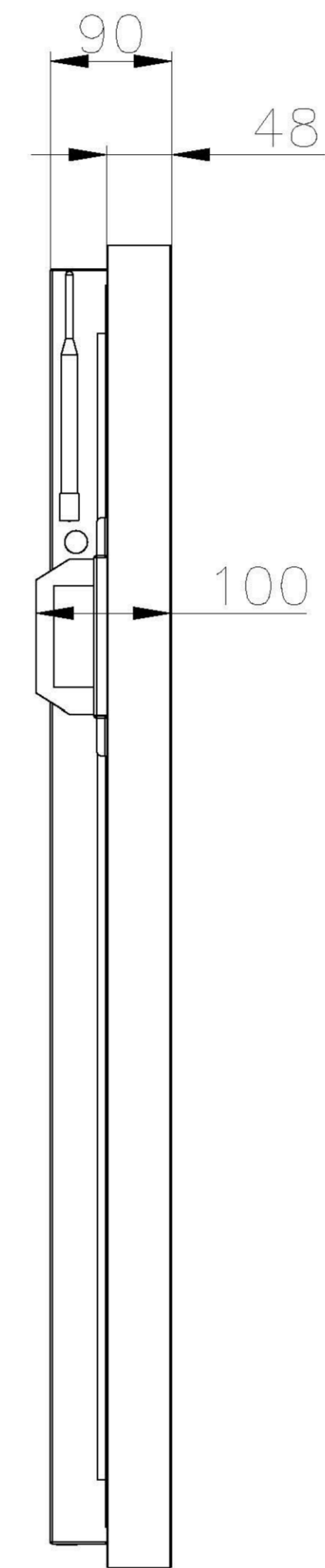
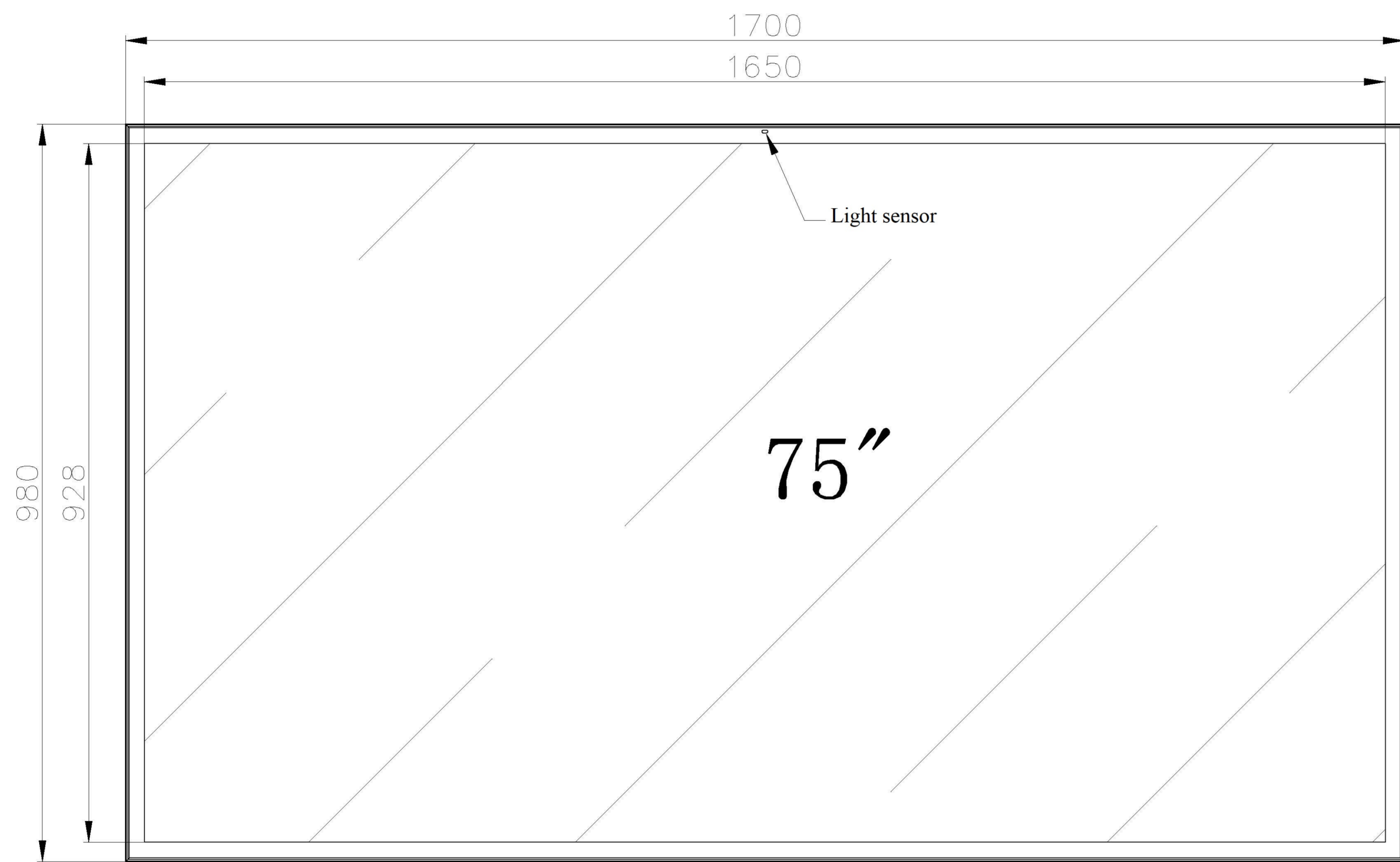


Keypad



Power switch
Waterproof power plugging



XXX ±56	X.°± 0.050
XXX ±28	.X°± 0.010
XX ± .2	.XX°± 0.005
X ± .14	.XXX°± 0.002

		2023.02.03			
Q'TY	UNIT	SCALE	SHEET	REV.	
-	MM	1:1	1/1	A	